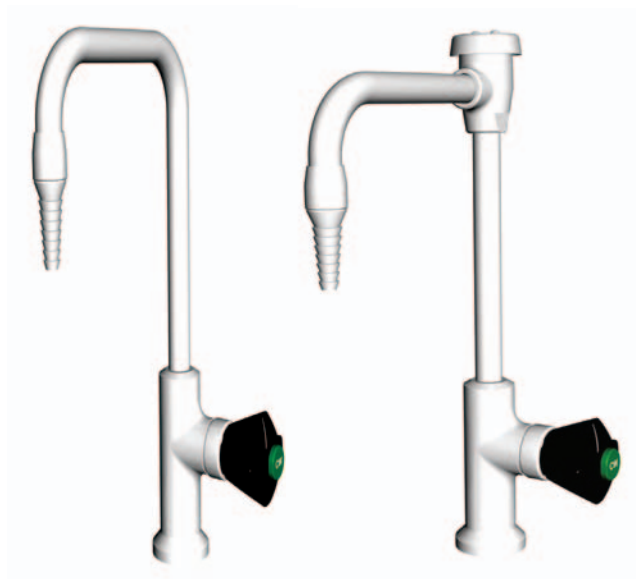


Sinks and Fixtures

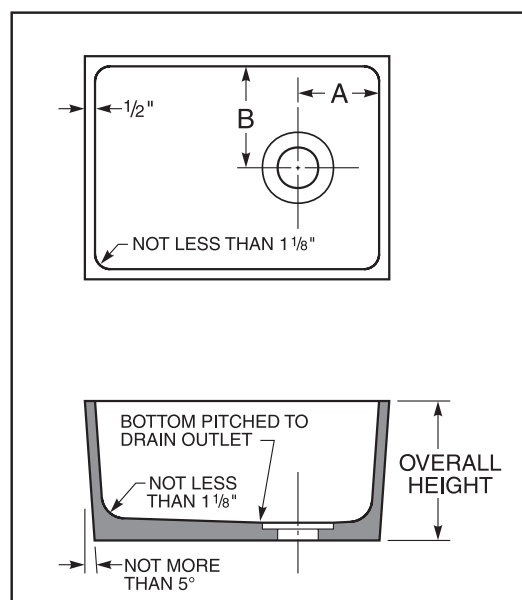
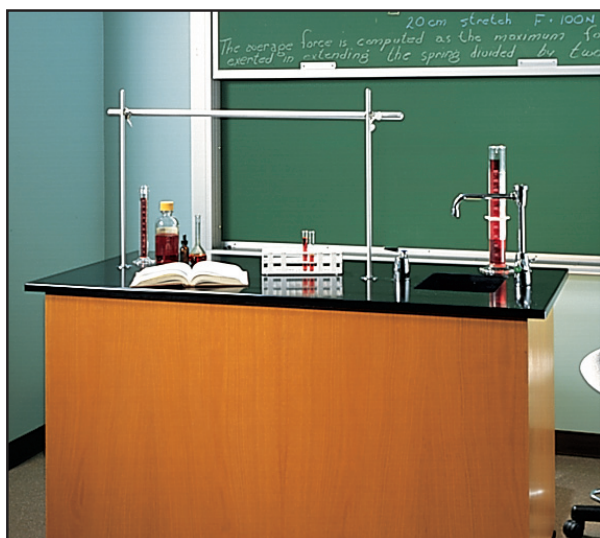
This section includes the fittings and fixtures you will need to complete your cabinet worktops or workstations.

There are many other configurations available. Consult your Furniture Representative for a full listing.

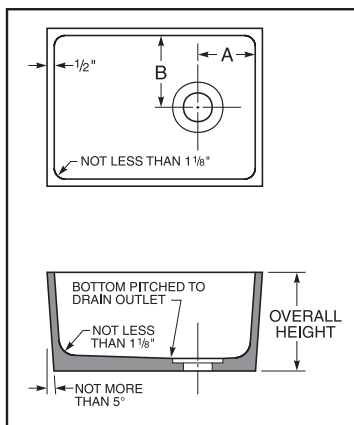


Section Contents

| | |
|--------------------------------|----|
| Sinks and Drying Racks | 30 |
| Faucets and Gas Fixtures | 31 |
| Accessories | 32 |



Sinks and Drying Racks



Epoxy Tub Sinks

Sinks are made from a combination of modified epoxy resins and inert fillers to produce a strong chemically-resistant sink formed as one piece. They are formed in metal molds to provide one-piece sinks with covered corners and bottoms. Cat. No. VF-1003-DT is a double sink. For standard 1 1/2" drain outlets.



| Inside Dimensions (W x L x D) | Drain Location A/B | Catalog Number | Price |
|----------------------------------|-----------------------|-------------------|-----------------|
| 15" x 18" x 11" | 4/4 | VF-1003-00 | \$250.00 |
| 15" x 37" x 11" | 4 1/2 / 4 1/2 | VF-1003-DT | \$515.00 |
| 15" x 25" x 10" | 4/4 | VF-1005-00 | \$309.00 |
| 15" x 18" x 8" | 4/4 | VF-1006-00 | \$209.00 |
| 16" x 16" x 7 1/2" | 4/4 | VF-1021-00 | \$188.00 |
| 16" x 24" x 8" | 4/4 | VF-1007-00 | \$262.00 |



Sink Accessories

Polypropylene resin accessories provide maximum resistance to laboratory chemical waste materials. A plastic disc strainer is included with each sink outlet.

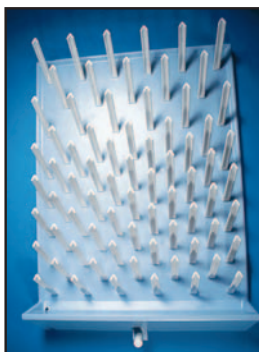
| | | |
|---------------|----------------|----------------|
| Cup Sink | DU-CS4R | \$40.00 |
| Sink Outlet | DU-SO3R | \$23.50 |
| Sink Overflow | DU-OER | \$22.00 |



VWR™ Steel Drying Rack

Vinyl-coated, spot-welded steel rack allows draining and drying of laboratory glassware and helps prevent chips and breakage. Rack accommodates up to 90 various test tubes, beakers, flasks, and other labware on eighteen 5" (12.7cm) pins and seventy-two 3" (7.6cm) pins. Self-standing rack may be placed on a table, near a sink, or hung by hooks on a wall. Drainage pan slides for easy emptying. Overall dimensions: 18"W x 7 1/2"D x 20 1/8"H.

82024-450 \$121.00



VWR™ Polystyrene Drying Rack

High-impact polystyrene rack has holes to fit 72 pegs. Lightweight and versatile, it accommodates cylinders, flasks, and test tubes. Pegs snap out easily. Comes complete with seventy-two 4" (10.2cm) pegs, 3" draining ledge, mounting kit, and fixing template. Draining tubes not included. Additional pegs for use with test tubes are also available. Color: Light Blue Overall dimensions: 18"W x 25"H x 4 1/4"D. Weight: 10 lbs.

| | | |
|--|------------------|-----------------|
| Drying Rack | 60996-012 | \$187.00 |
| Additional Pegs for Test Tubes, Pkg. of 11 | 60996-015 | \$15.00 |

Laboratory Water & Gas Fixtures

Faucets

Faucets are available for single service (hot or cold water) or as mixing faucets. All except the distilled water faucet (made of polyvinylchloride) are chrome-plated brass and are provided with appropriate mounting hardware. All are supplied with hose barb. A vacuum breaker (required by some building codes) is optional. Faucets are deck mounted unless otherwise specified. Faucet washer disks can be easily replaced with simple hand tools.

| | | |
|---|--------------------|-----------------|
| Single Water Gooseneck Faucet | VFT-0337-00 | \$99.00 |
| Single Water Gooseneck w/Vacuum Breaker | VFT-0337-0V | \$139.00 |
| Mixing Faucet with Gooseneck | VFT-0340-00 | \$156.00 |
| Mixing Faucet with Gooseneck and Vacuum Breaker | VFT-0340-0V | \$204.00 |
| Curb-Mounted Gooseneck Mixing Faucet | VFT-0361-61 | \$242.66 |
| Mixing Faucet, 9" Spout | 59382-046 | \$138.00 |
| Mixing Faucet w/Vacuum Breaker | 59382-048 | \$184.50 |
| Distilled Water Faucet—PVC | VFT-0372-00 | \$229.00 |
| Panel Mount Single Water Fitting | VFT-0306-01 | \$76.00 |



Gas/Vacuum Service Fittings

These laboratory ball valves may be used for any laboratory gas, air, and vacuum. When specially cleaned, they may be used for oxygen and high purity gases. These ball valves may be used at working pressures up to 75 PSI. Laboratory ball valves utilize molded Teflon seals capable of lasting virtually forever. Fittings come complete with black nylon handle, locknuts, washers, and 9.5mm (3/8") mounting shanks. Certified by CSA International for natural gas service under ANSI Z21.15-1997/CGA9. 1-M97.

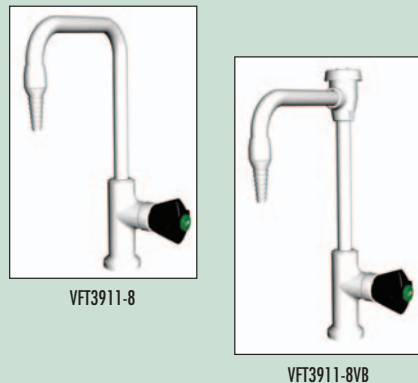
| | | |
|------------------------------|------------------|-----------------|
| Single Deck Mount | 97004-546 | \$60.00 |
| Double Deck Mount (Straight) | 97004-550 | \$94.00 |
| Double Deck Mount (Angle) | 97004-548 | \$94.00 |
| Deck Mount Quad | 97004-552 | \$164.00 |
| Single Panel Mount | 97004-554 | \$52.00 |
| Double Panel Mount | 97004-556 | \$96.00 |



White Epoxy Coated Faucets and Fixtures

These contemporary design fixtures are made of brass with a white epoxy coating to resist attack from most chemicals. All fixtures include black nylon handles. Standard mounting hardware is included. Deck mounting is standard. Faucets have replaceable stainless steel seats. Ball valves are rated for pressures up to 125 PSI and are ADA compliant.

| | | |
|---|---------------------|-----------------|
| Single Water Gooseneck Faucet | VFCT3911-8 | \$99.00 |
| Single Water Gooseneck w/Vacuum Breaker | VFCT3911-8VB | \$159.00 |
| Mixing Water Gooseneck Faucet | VFT-0414-00 | \$169.00 |
| Mixing Water Gooseneck w/Vacuum Breaker | VFT-0414-VB | \$219.00 |
| Single Gas Fitting | 59382-076 | \$53.13 |
| Double Gas Fitting (90 degree) | 59382-078 | \$81.86 |
| Double Gas Fitting (180 degree) | 59382-080 | \$89.00 |
| Quad Gas Fitting | VFT-0134-00 | \$159.00 |



Gastop

Stop damage to the gas jets in your lab with this unique device! The gas top slips over the hose barb of a gas jet and locks on, providing a vandal-proof seal. A simple key unlocks the GASTOP so that the gas may be used again. Seal the gas jet against leakage and provide a barrier against pencil tips and any other objects that may be inserted into the gas jet.

WL9903-ZZ **\$9.35**




Call us at 800-727-4368

Accessories



Floor Demonstrator Instructional Floor Mirror

Allow students to view an experiment from any area of the room with these high-quality acrylic mirrors. Aluminum alloy 1/2" tubing, metal bases, and pivot points are strong, secure, and very easy to adjust. Scratch-resistant mirrors on one side are coupled with white dry erase boards on the opposite side for lecture notes. Available in two mirror sizes. 

| | | |
|-----------|----------------|-----------------|
| 36" x 60" | WLG7360 | \$519.00 |
| 48" x 72" | WLG7486 | \$579.00 |

Labhand

Because putting a laptop on a science bench is not always safe, LabHand provides a convenient place to use the laptop, while protecting it from spills and accidents. The LabHand is a metal plate with a plastic rod that slips into standard rod sockets. Also useful for holding books.

WLG2502 **\$107.00**



Rod Socket Assemblies



Upright Rod Assembly

Made of solid machined aluminum, these units are nearly impossible to break! The uprights are 3/4" diameter with a tapered end to fit a rod socket.

***WLG9906-04** **\$141.00**

Rod Socket

These solid aluminum rod sockets are rust and acid resistant. Designed to fit tightly into the top of mobile carts and stationary tables and desks, they receive the tapered end of 3/4" uprights.

***WLG9907-01** **\$28.00**



** Ships within 7 days, quantity restrictions may apply.*



Mirror/Markerboard

Add a Mirror or a Mirror/Markerboard to your Mobile Workstation. Units easily mount on 1/2" diameter crossbar of any of our mobile workstations, which include uprights and crossbars. Mirror unit is a mirror on both sides. Mirror/markerboard has a mirror on one side and markerboard on the other.

| | | |
|--------------------|----------------------|-----------------|
| Mirror Only | *WLS-79452-20 | \$254.00 |
| Mirror/Markerboard | *WLS-79452-10 | \$282.00 |

Utility Controller

The Utility Controller is a safety device that regulates the control of various utility services and devices such as domestic water, natural gas, and electrical outlets within a science room. The teacher can control when these utilities are available for use by the student and, in the event of an emergency, shut off the natural gas, water and electricity before evacuating the room. The controller is easily integrated with other building services found in public facilities. The "EMS" (Energy Management System) that controls and activates the heating and cooling system for the room will provide a higher degree of authority to activate the room utility services. UL approved. Dimensions: 10"L x 4" D x 12" H.

WLG1000-23 **\$2,300.00**

