

Furniture for Special Purpose Laboratories

Section Contents

Plastic Laminate Furniture	54
Metal Furniture	59

Special Purpose Furniture

Biotechnology, agricultural sciences and some research laboratories have special lab requirements, especially for cleaning. Metal and high-pressure laminate furniture can meet those needs.

For more information on these types of furniture, contact your furniture representative.



Plastic Laminate Casework



Eastport South Manor, NY

The Solution for Changing Needs

This casework combines modular and fixed laminate casework with coordinating hardware, trim, countertops, fixtures, and many complementary accessories.

Plastic laminate provides superior resistance to chemicals, scratching, and abrasion, which makes it the perfect choice for laboratory or classroom environments. The radiused 3mm PVC edging on doors and drawers further protects the casework from dents and marring while eliminating sharp edges and corners.

The high-quality laboratory grade plastic laminate cabinets are manufactured to exact tolerances with consistent quality standards. Construction features an industrial-grade board core, top quality plastic laminate and heavy-duty institutional grade hardware. The result — cabinets that are as attractive as they are durable.

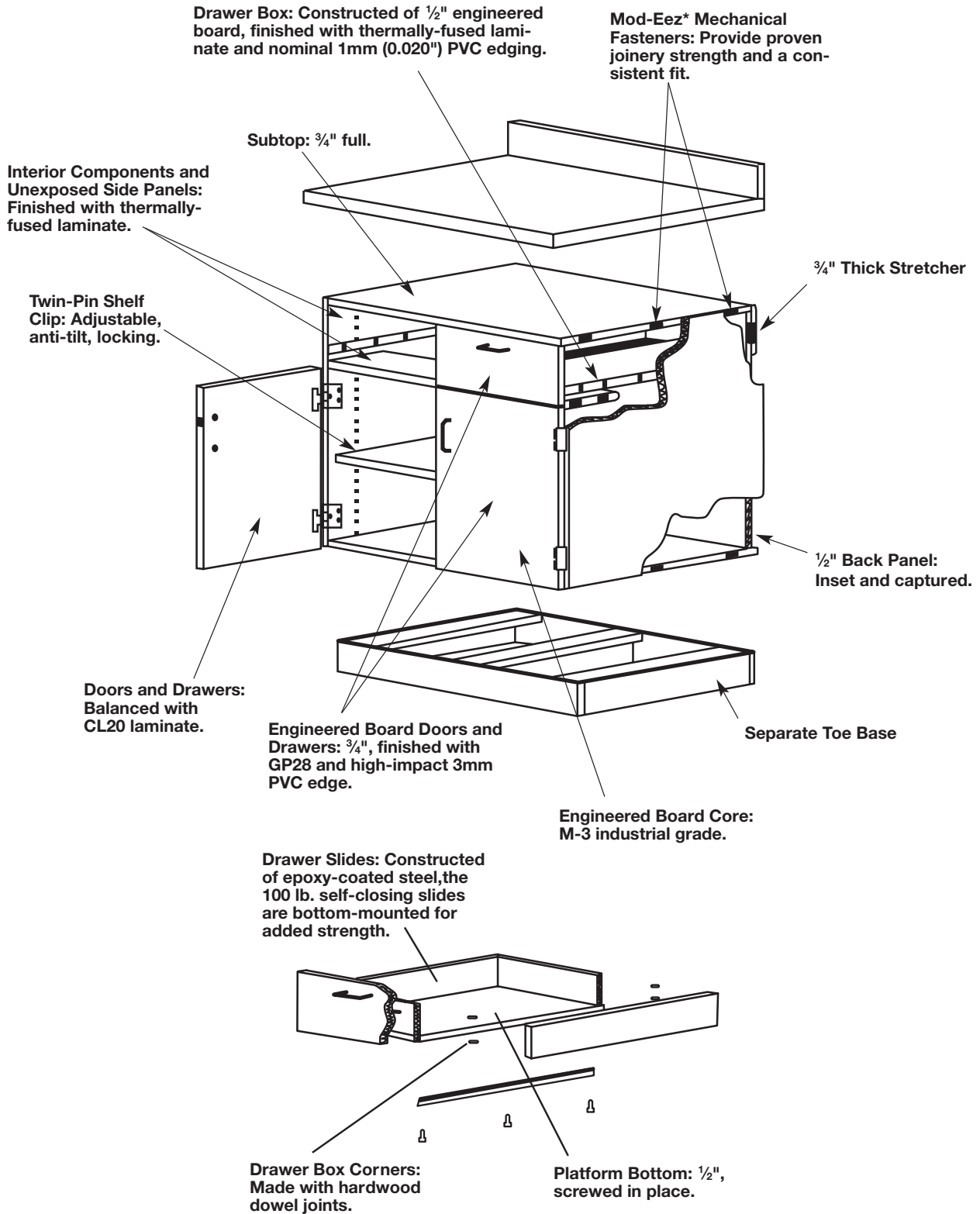


Sci-Tech High School, PA

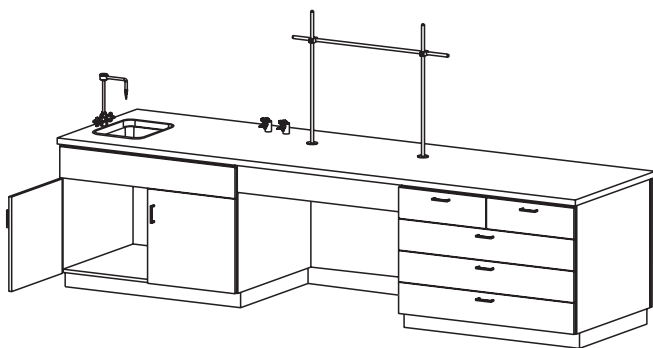
Sci-Tech is a magnet school for math and science that occupies the former YMCA building in the Harrisburg downtown area.

Each of the three laboratories includes small product work areas for small group work in addition to the fixed workbenches and instructor stations, each supplied with compressed air, de-ionized water, gas and other utilities. Flexibility and mobility are achieved with mobile work surfaces, allowing easy reconfiguration of the rooms as required.

Case Systems Cabinet Construction



Plastic Laminate Instructor's Desks

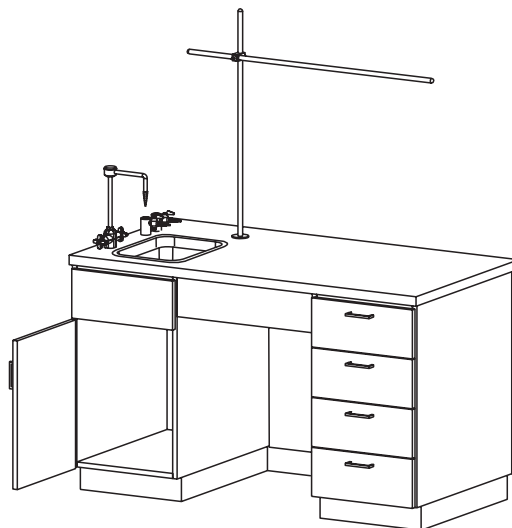


Instructor's Desk

- Includes sink cabinet and 5 drawer cabinet (both 36" x 35" x 42")
- Apron panel
- Finished back and side panels
- Comes equipped with 14" x 10" epoxy resin sink and 38" x 127" epoxy resin top
- Features hot/cold mixing faucet, burette sockets, rod/crossbar package, and single valve gas fixtures
- Overall dimensions: 127"W x 38"D x 36"H

WLG6620 \$1,670.00

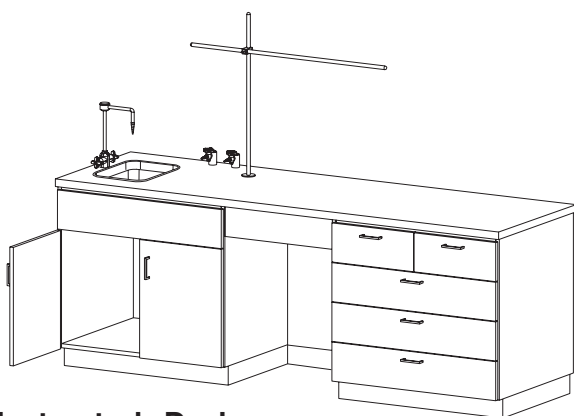
All units are customizable.
Call for details.



Instructor's Desk

- Includes sink cabinet and 4 drawer cabinet (both 36" x 29" x 18")
- Apron panel
- Finished back and side panels
- Comes equipped with 14" x 10" epoxy resin sink and 32" x 61" epoxy resin top
- Features hot/cold mixing faucet, burette sockets, rod/crossbar package, and single valve gas fixtures
- Overall dimensions: 61"W x 32"D x 56"H

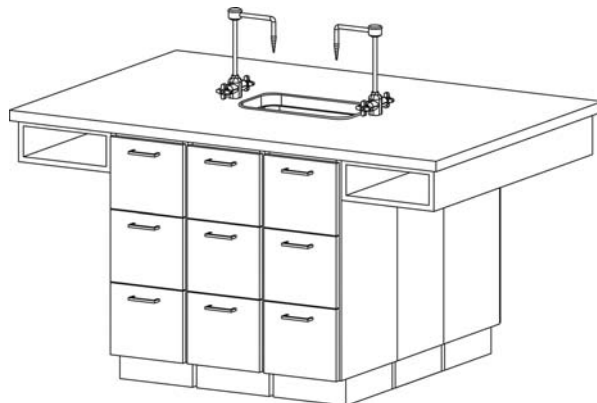
WLG6660 \$990.00



Instructor's Desk

- Includes sink cabinet and five drawer cabinet (both 36" x 29" x 36")
- Apron panel
- Finished back and side panels
- Comes equipped with 14" x 10" epoxy resin sink and 32" x 96" epoxy resin top
- Features hot/cold mixing faucet, burette sockets, rod/crossbar package, and single valve gas fixtures
- Overall dimensions: 96"W x 32"D x 36"H

WLG6600 \$1,400.00



Student Workstation

Four student, double-face lab table (67"W x 48"D x 36"H) includes:

- Double-sided book box
- 2 hot/cold mixing faucets
- 16" x 18" epoxy resin sink
- 48" x 67" epoxy resin top
- One sink outlet

File Cabinet Base **WLG5500 \$2,100.00**

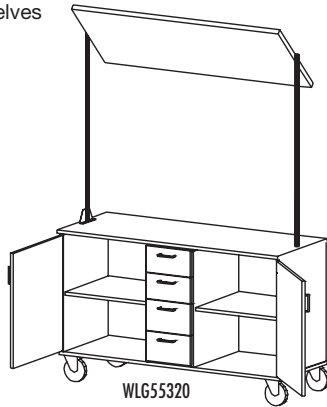
9-Drawer Base **WLG5520 \$2,350.00**

Plastic Laminate Mobile Carts

Mobile Demo with Mirror

- Features two adjustable shelves
- Includes four general storage drawers
- Comes with 22" x 56" demonstration mirror
- Overall dimensions: 60"W x 35"D x 36"H

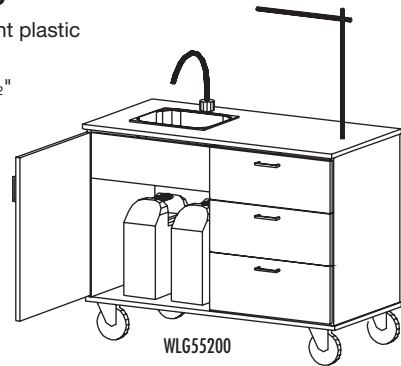
WLG55320 \$3,200.00



Science Demo

- Black, acid-resistant plastic laminate top
- Includes 11" x 13½" stainless steel sink
- Features two ½ gallon carboys
- 5/6" dia. x 24" long clear supply hose and drain hose with clamp
- Overall dimensions: 60"W x 35"D x 36"H

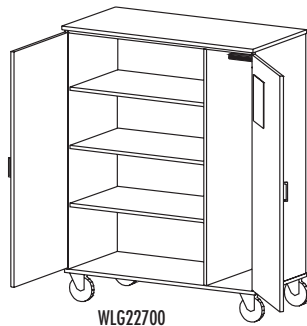
WLG55200 \$1,980.00



Teacher Wardrobe

- Features two adjustable shelves
- Includes hang rod and door-mounted mirror
- Two hinged drawers and pin tray
- Overall dimensions: 48"W x 35"D x 60"H

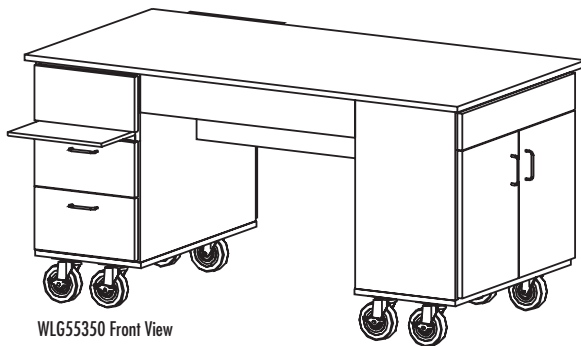
WLG22700 \$1,109.00



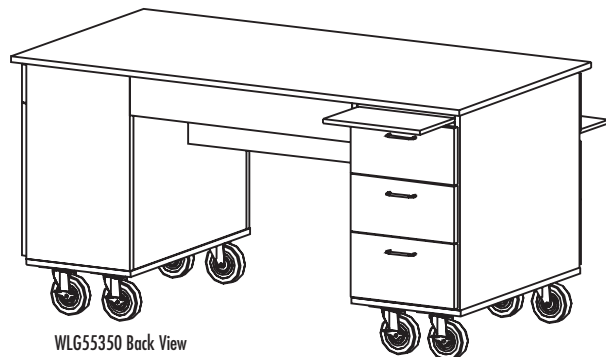
Teacher Wardrobe

- Features two adjustable shelves
- Includes two letter-size file drawers
- Hang rod and door-mounted mirror included
- Two hinged drawers and pin tray
- Overall dimensions: 48"W x 35"D x 60"H

WLG22800 \$1,619.00



WLG55350 Front View



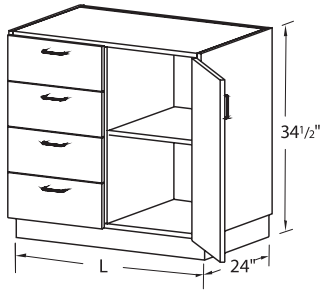
WLG55350 Back View

ADA Mobile Cabinet

- Includes five drawers
- Features two pull-out writing surfaces
- Rewind wheel with cord
- Laminate top
- Overall dimensions: 66"W x 33"D x 34"H

WLG55350 \$4,100.00

Call us at 800-727-4368

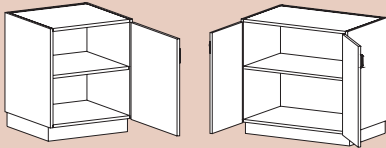


Standing Height Base Cabinets

Products on this page are made to order, shipped fully KD, and are designed for installed projects.

- Standing height base cabinets are 34½" high and 24" deep. Lengths as shown
- Common for traditional laboratory and technical environments
- Installed for permanent or semi-permanent layouts
- Base cabinets have one adjustable shelf; wall cabinets have two
- Standard color is Beige

Cupboard Cabinets



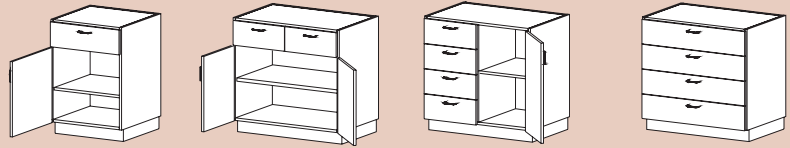
One Door

33501-088
24"L (Swings right)
33501-084
24"L (Swings left)

Two Doors

33501-078 36"L
33501-080 48"L

Cupboard and Drawer Cabinets



One Door, One Drawer

33501-140
24"L (Swings left)
33501-144
24"L (Swings right)

Two Doors, Two Drawers

33501-134 36"L
33501-136 48"L

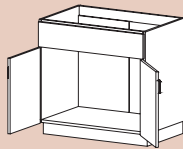
Four Drawers, One Door

33501-122 36"L
33501-124 48"L

Four Drawers

33501-096 24"L
33501-098 36"L
33501-100 48"L

Sink Cabinets

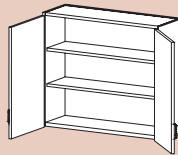


One False Front, Two Doors

33501-154 36"L
33501-156 48"L
33501-158 54"L

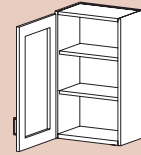
Wall Mounted Storage Cabinets

Hinged Panel Doors



33501-222 30" H x 24"L (Swings left)
33501-224 30" H x 24"L (Swings right)
33501-218 30" H x 36"L
33501-220 30" H x 48"L

Hinged Glazed Doors

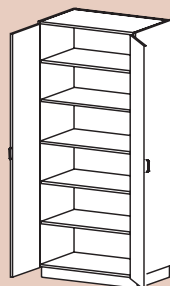


33501-214 30" H x 24"L (Swings left)
33501-216 30" H x 24"L (Swings right)
33501-210 30" H x 36"L
33501-212 30" H x 48"L

Full Height Storage Cabinets

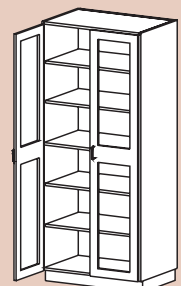
Hinged Panel Doors

33501-238 84" H x 24"L (Swings left)
33501-240 84" H x 24"L (Swings right)
33501-234 84" H x 36"L
33501-236 84" H x 48"L



Hinged Glazed Doors

33501-230 84" H x 24"L (Swings left)
33501-232 84" H x 24"L (Swings right)
33501-226 84" H x 36"L
33501-228 84" H x 48"L



VWR™ Metal Furniture

For Demanding Applications

Metal furniture is easy to clean and de-contaminate, making it the ideal choice for biotechnology, advanced biology, and similar applications. Made of electropainted steel, and carrying a three-year limited warranty against rust and corrosion, this furniture is highly valuable to any advanced laboratory.

- Exclusive positive latching mechanism
- Heavy-gauge steel full-face frame construction
- One-piece bottom and front rail with radius at sides and rear
- Completely enclosed toe space with leveling bolts at all four corners
- One-piece, radiused drawer body with sound deadening material
- Self-closing drawer with nylon tired, ball bearing rollers
- Five knuckle institutional stainless steel hinges, positive catches, and rubber door bumpers
- Interchangeable doors and drawers
- Environmentally friendly paint system
- Full width recessed pulls

Rediship

Some of our Silhouette furniture is available for fast delivery from stock. Ask your furniture representative for details.



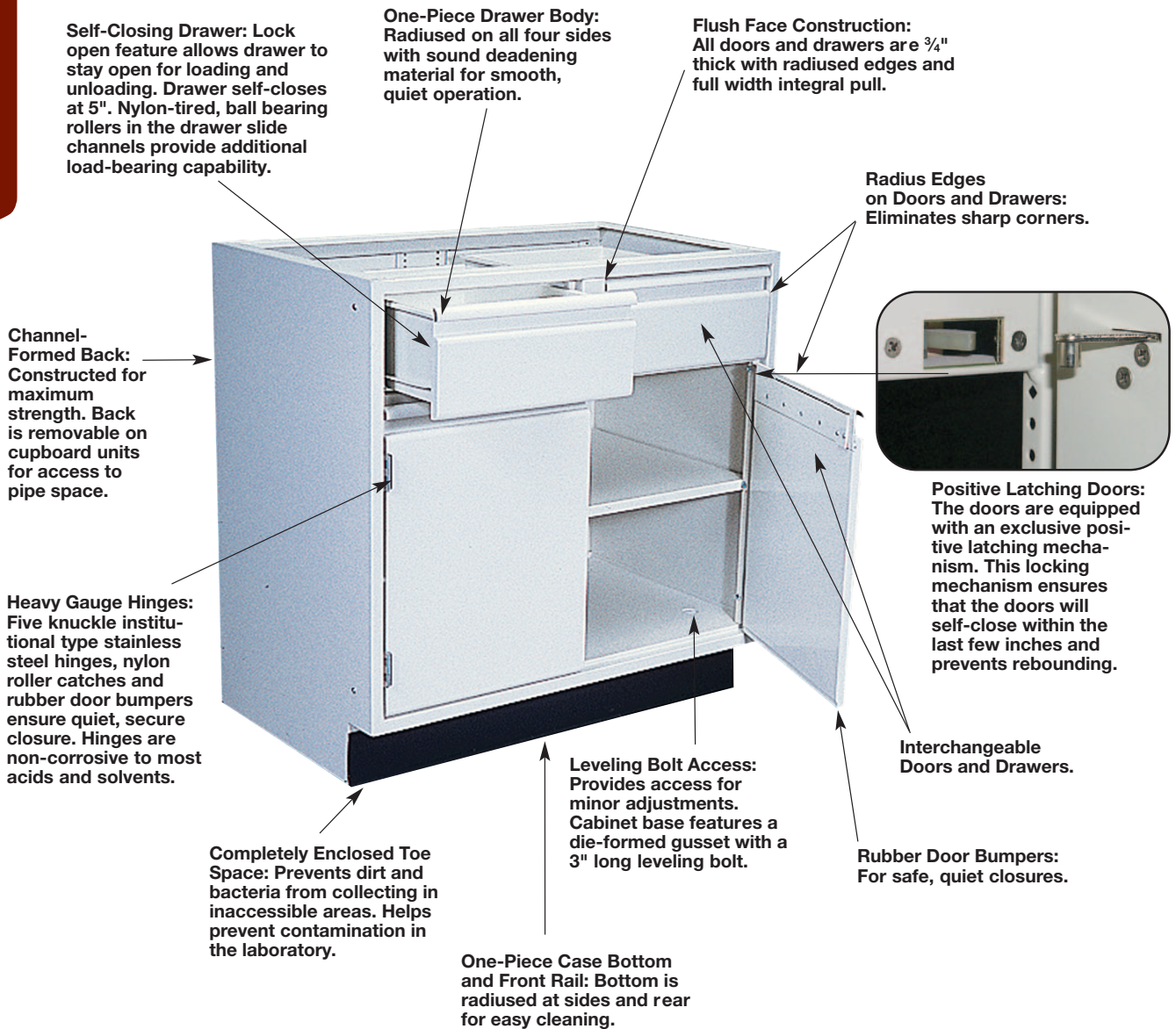
Call us at 800-727-4368

Contour™ Steel Furniture

The Contour™ Style

The Contour style of laboratory furniture features smooth, easy to maintain surfaces. The full-width extruded door and drawer pull become integral elements of each assembly. The heavy gauge steel full-frame construction has been specially engineered to withstand a full ton of pressure.

All Contour Casework is manufactured of prime grade, cold rolled, U.S. Standard sheet steel with no ragged edges.



Self-Closing Drawer: Lock open feature allows drawer to stay open for loading and unloading. Drawer self-closes at 5". Nylon-tired, ball bearing rollers in the drawer slide channels provide additional load-bearing capability.

One-Piece Drawer Body: Radiused on all four sides with sound deadening material for smooth, quiet operation.

Flush Face Construction: All doors and drawers are 3/4" thick with radiused edges and full width integral pull.

Radius Edges on Doors and Drawers: Eliminates sharp corners.

Channel-Formed Back: Constructed for maximum strength. Back is removable on cupboard units for access to pipe space.

Heavy Gauge Hinges: Five knuckle institutional type stainless steel hinges, nylon roller catches and rubber door bumpers ensure quiet, secure closure. Hinges are non-corrosive to most acids and solvents.

Completely Enclosed Toe Space: Prevents dirt and bacteria from collecting in inaccessible areas. Helps prevent contamination in the laboratory.

Leveling Bolt Access: Provides access for minor adjustments. Cabinet base features a die-formed gusset with a 3" long leveling bolt.

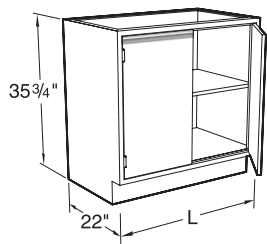
One-Piece Case Bottom and Front Rail: Bottom is radiused at sides and rear for easy cleaning.

Positive Latching Doors: The doors are equipped with an exclusive positive latching mechanism. This locking mechanism ensures that the doors will self-close within the last few inches and prevents rebounding.

Interchangeable Doors and Drawers.

Rubber Door Bumpers: For safe, quiet closures.

Contour™ Standing Height Base Cabinets



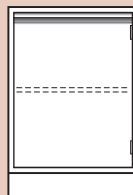
- Standing height cabinets are 35¾" high and 22" deep. Lengths as shown.
- A 1" thick work surface creates an overall height of 36¾"
- All cupboard cabinets have one full width adjustable shelf
- Cabinets are phosphate-coated with a baked, chemical-resistant, synthetic powder coat
- Color is Light Neutral

Open Storage

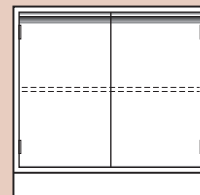


CFB-2002-00	18"L
CFB-2004-00	24"L
CFB-2006-00	36"L

Cupboard Cabinets



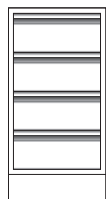
CFC-2032-12	18"L
(Swings right)	
CFC-2034-12	24"L
(Swings right)	



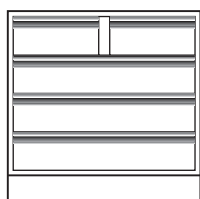
CFC-2032-0L2	18"L
(Swings left)	
CFC-2034-0L2	24"L
(Swings left)	

CFC-2035-12	30"L
CFC-2036-12	36"L
CFC-2037-12	42"L
CFC-2038-12	48"L

Drawer Cabinets

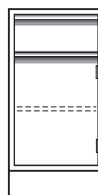


CFD-2302-10	18"L
CFD-2304-10	24"L
CFD-2306-10	36"L
CFD-2308-10	48"L

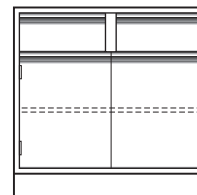


CFD-2316-10	36"L
CFD-2318-10	48"L

Cupboard and Drawer Cabinets

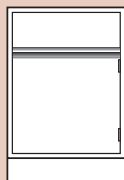


CFE-2402-12	18"L
CFE-2404-12	24"L
CFE-2402-12L	18"L
(Swings left)	
CFE-2404-12L	24"L
(Swings left)	



CFE-2415-12	30"L
CFE-2416-12	36"L
CFE-2417-12	42"L
CFE-2418-12	48"L

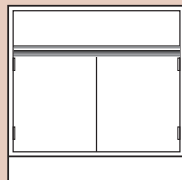
Sink Cabinets



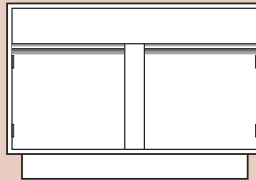
24"L
CFG-2004-F22
(Swings right)



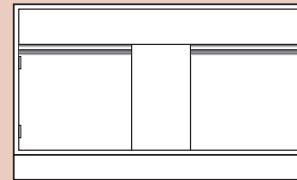
24"L
CFG-2004-0L2
(Swings left)



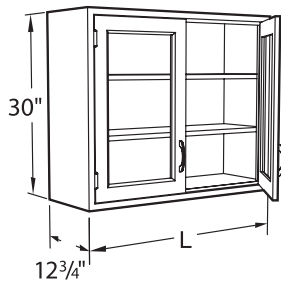
CFG-2005-F22	30"L
CFG-2006-F22	36"L
CFG-2008-F22	48"L



CFG-2049-F22	52"L
CFG-2058-12	58"L



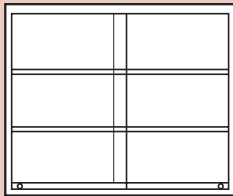
CFG-2019-F21	60"L
---------------------	------



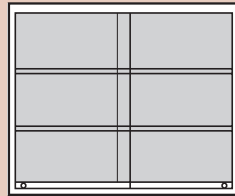
Contour™ Wall Mounted Storage Cabinets

- Steel wall cabinets are 30" high and 12 3/4" deep (except where noted). Lengths as shown
- Wall cabinets come with two adjustable shelves
- Cabinets are phosphate-coated with a baked, chemical-resistant, synthetic powder coat finish
- Color is Light Neutral

Cabinet with Sliding Glass Doors

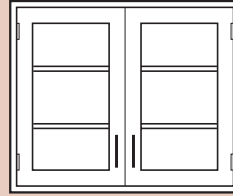


CFW10M3036 36"L
CFW10M3048 48"L



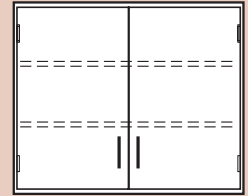
Smoked Glass
CFW30M3036 36"L
CFW30M3048 48"L

Cabinet with Swinging Glass Doors

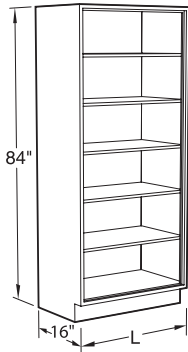


CFW20M3024 24"L
CFW20M3036 36"L
CFW20M3048 48"L

Cabinet with Swinging Panel Doors

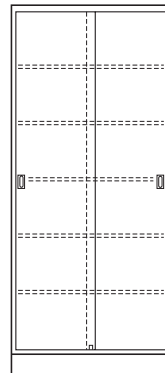
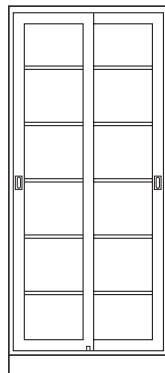
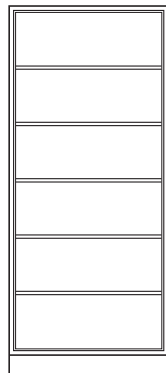


CFW25M3036 36"L
CFW25M3048 48"L



Contour™ Full Height Storage Cabinets

- Full height steel storage cabinets are 84" high and 16" deep. Lengths as shown
- Full height steel cabinets have five adjustable shelves
- Doors must be ordered separately
- Cabinets are phosphate-coated with a baked, chemical-resistant, synthetic powder coat finish
- Color is Light Neutral



Storage Cabinets

CFS-2116-01 36"L
CFS-2118-01 48"L

Sliding doors are packed as a set of two. Please specify choice at time of order.

Framed Glass
CFS-3611-00 36"L
CFS-4811-00 48"L

Metal Panel
CFS-3615-00 36"L
CFS-4815-00 48"L